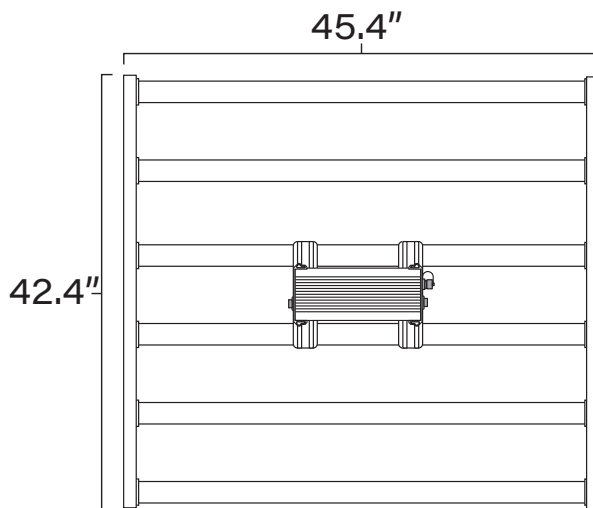


SPECIFICATIONS

Product Name	PRO 1800 LED
Manufacturer	Better Options
Part Number	GS-4X6LED-HI
Input Power	640 Watt
Light Output (PPF)	1800 $\mu\text{mol/s}$
Efficacy	2.8 $\mu\text{mol/J}$
Input Voltage (V)	Max. Current (A)
120V	5.60A
208V	3.20A
240V	2.77A
277V	2.42A
Power Factor	>0.95
Dimming Protocols	0~10V
Max. Ambient Temp.	95°F
Heat Load	2180 btu/hr*
Light Distribution	125° x 120°
Thermal Management	Passive (Heat Sink)
Water Resistant Rating	IP 65
Weight (lbs)	30
Dimensions (Inches)	45.4 x 42.4 x 3.4
Certifications	DLC, ETL, FCC
Warranty	5 Years Limited

Dimensions



The spectrum at 277V 60Hz

