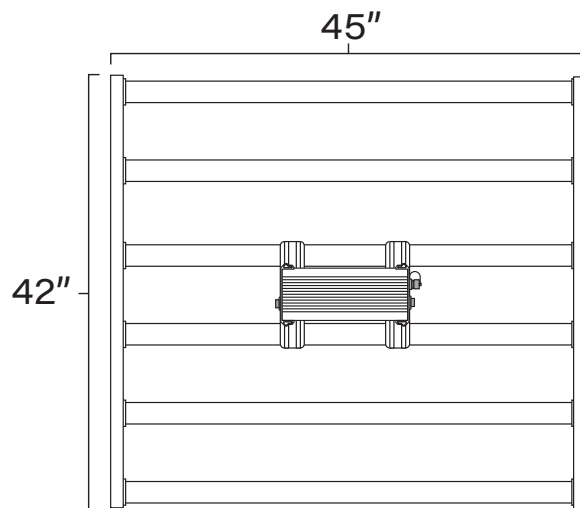


SPECIFICATIONS

Product Name	Original 1600 LED
Manufacturer	Better Options
Part Number	GS-4X6LED-01
Input Power	640 Watt
Light Output (PPF)	1600 $\mu\text{mol/s}$
Efficacy	2.45 $\mu\text{mol/J}$
Input Voltage (V)	Max. Current (A)
110V	5.82A
208V	3.08A
240V	2.67A
277V	2.31A
Power Factor	>0.9
Dimming Protocols	0~10V
Max. Ambient Temp.	95°F
Heat Load	2180 btu/hr*
Light Distribution	120° x 115°
Thermal Management	Passive (Heat Sink)
Water Resistant Rating	IP 65
Weight (lbs)	33
Dimensions (Inches)	45 x 42 x 3
Certifications	ETL, FCC
Warranty	3 Years Limited

Dimensions



The spectrum at 277V AC

