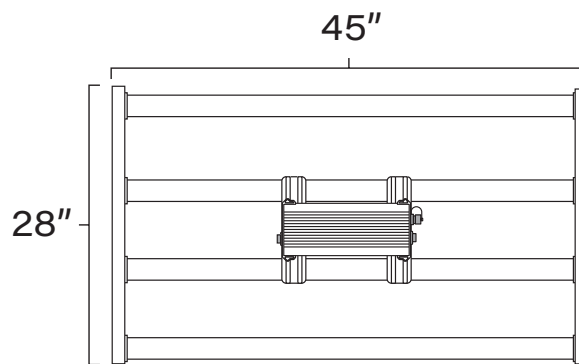


## SPECIFICATIONS

Product Name	420W Veg LED
Manufacturer	Better Options
Part Number	GS-4X4LED
Input Power	420 Watt
Light Output (PPF)	950 $\mu\text{mol/s}$
Efficacy	2.26 $\mu\text{mol/J}$
Input Voltage (V)	Max. Current (A)
110V	3.82A
208V	2.02A
240V	1.75A
277V	1.52A
Power Factor	>0.9
Dimming Protocols	0~10V
Max. Ambient Temp.	95°F
Heat Load	1430 btu/hr*
Light Distribution	125° x 120°
Thermal Management	Passive (Heat Sink)
Water Resistant Rating	IP 65
Weight (lbs)	17
Dimensions (Inches)	45 x 28 x 2
Certifications	ETL, FCC
Warranty	3 Years Limited

## Dimensions



## Coverage Area & Recommended Height

